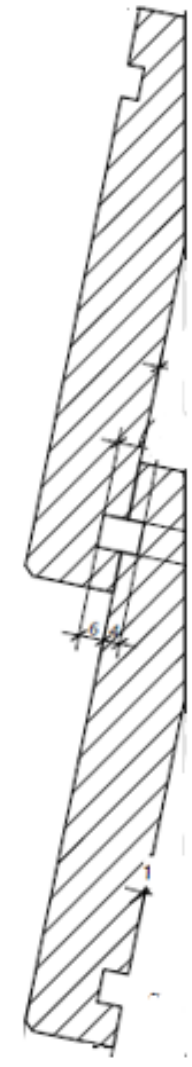
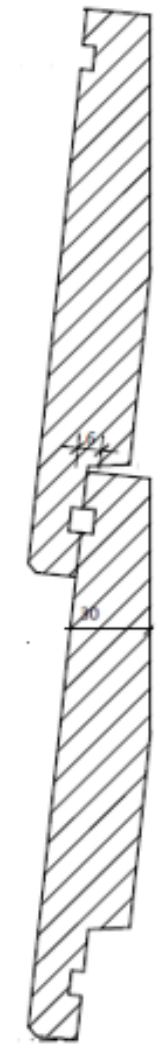
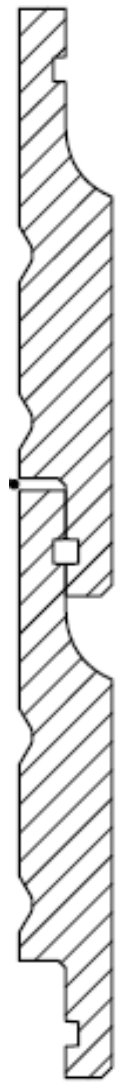
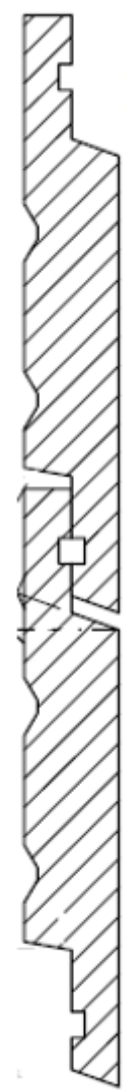
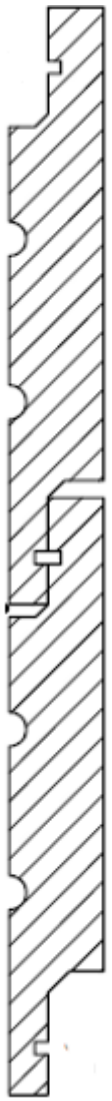


**STANDARD CLADDING
PROFILES**



VERTICAL SHIPLAP

115mm Cover
65mm Cover
55mm Cover

*165mm Cover on request

HORIZONTAL SHIPLAP

115mm Cover
65mm Cover
55mm Cover

*165mm Cover on request

RUSTICATED SHIPLAP

115mm Cover
65mm Cover
55mm Cover

*165mm Cover on request

REBATED BEVELBACK

115mm Cover
65mm Cover
55mm Cover

*165mm Cover on request

NON-REBATED BEVELBACK

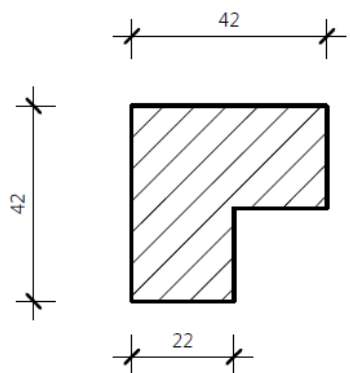
108mm Cover
58mm Cover
48mm Cover

* 158mm Cover on request

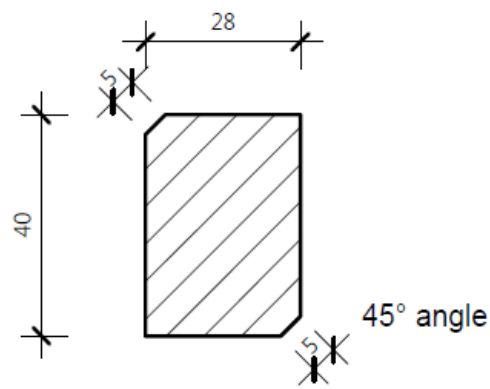
TIMBER THICKNESS

DRESSED FINSH: 21MM
SAWN FINISH: 22MM

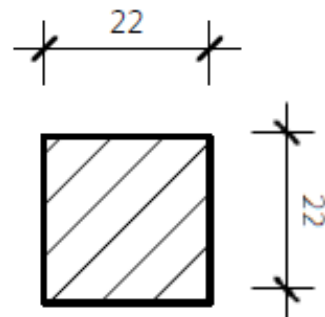
EXTERNAL CORNER



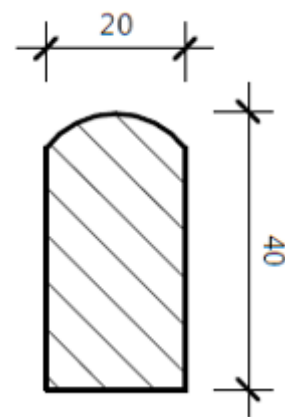
EAVES MOULD



INTERNAL CORNER



SCRIBER



COVER BATTEN

